



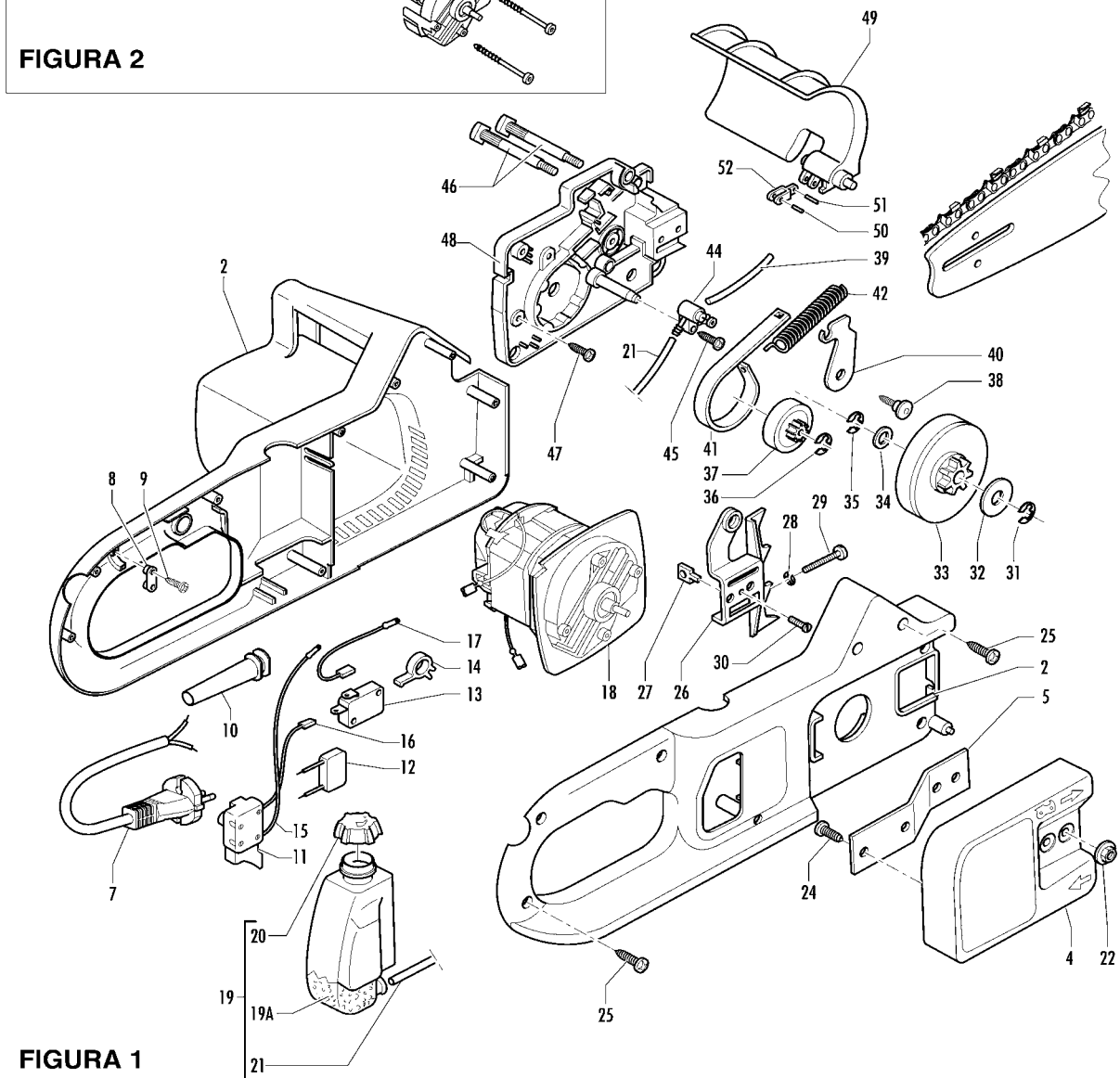
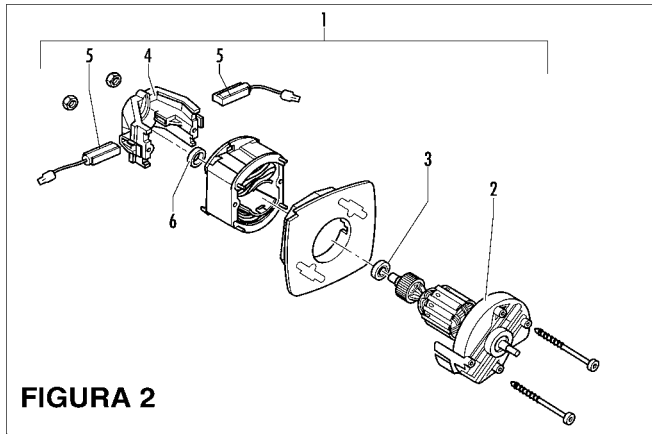
**ELECTROLUX OUTDOOR PRODUCTS**

<b>PNC</b>	<b>Type/Prefix/nd</b>	<b>Model</b>	<b>Brand</b>
3150012-52 953900175	02	ELECTRAMAC 312 SCHUKO	McCULLOCH
33150014-52 953900176	02	ELECTRAMAC 314 SCHUKO	McCULLOCH
953900286	02	ELECTRAMAC 314 + GILET	McCULLOCH
3150016-52 953900177	02	ELECTRAMAC 316 SCHUKO	McCULLOCH
953900287	02	ELECTRAMAC 316 + GILET	McCULLOCH
3160012-52 953900163	02	ELECTRAMAC 330 SCHUKO	McCULLOCH
953900309	02	ELECTRAMAC 335 ASSY UK	McCULLOCH
3160014-52 953900163	02	ELECTRAMAC 335 SCHUKO	McCULLOCH
953900237	02	ELECTRAMAC 340 ASSY UK	McCULLOCH
3160016-52 953900164	02	ELECTRAMAC 340 SCHUKO	McCULLOCH
953900606	02	ELECTRAMAC 340 AUSTRALIA	McCULLOCH
953900558	02	ELECTRAMAC MES 1650	McCULLOCH
953900484	02	ELECTRAMAC MC EX 16	McCULLOCH
953900498	02	MES 316 + CHAIN OIL	McCULLOCH
953900499	02	M 335 + CHAIN OIL	McCULLOCH
953900500	02	M 340 + CHAIN OIL	McCULLOCH

**Number of Pages 1 of 3**

<b>Factory: IIQ - Valmadrera</b>	<b>Product Group: OP 93</b>
<b>Publication Number: EIPL2004_VP0406001</b>	<b>Petrol Portable</b>
<b>Publication Date: 03/06/04</b>	<b>Sub Group 9434</b>

## Service



**FIGURA 1**

pos	P/N McC	P/N ELX	Qty	DESCRIPTION
2	249427	538249427	1	crankcase kit
4	248317	538248317	1	kit cover ec S300
C 5	• 241066	538241066	1	pinion cover plate
C 7	241050	538241050	1	wire+plug (Schuko)
	241668	538241668	1	wire+plug (UK)
	241952	538241952	1	wire+plug (AUS)
8	241052	538241052	1	clamp
9	241077	538241077	2	screw M4x14
10	241051	538241051	1	wire protection
C 11	241053	538241053	1	switch
12	240794	538240794	1	noise reduction device
13	229797	538229797	1	micro switch
14	241048	538241048	1	switch lever
15	241055	538241055	1	motor/switch wire
16	241056	538241056	1	switch/ microswitch wire
17	241057	538241057	1	motor switch wire
C 18	<b>FIGURA 2</b>			
C 19	4305	538004305	1	oil tank assy
B 20	• 241060	538241060	1	oil cap
C 21	• 242402	538242402	1	oil tube
A 22	235217	538235217	1	M6 nut
25	240862	538240862	8	screw M4x18
26	241036	538241036	1	spike
A 27	241037	538241037	1	chain tensioner nut
B 28	235367	538235367	1	benzing d.4
B 29	241167	538241167	1	screw M5x30
30	229082	538229082	1	screw M 2,9x 9,5
B 31	229137	538229137	1	d.8 ring
C 32	241075	538241075	1	10x30x0,8mm washer
B 33	241038	538241038	1	es gear assy
C 34	241074	538241074	1	10x15x1mm washer
35	229137	538229137	1	d.8 ring

pos	P/N McC	P/N ELX	Qty	DESCRIPTION
36	241073	538241073	1	d 8 mm. seeger ring
37	241041	538241041	1	pinion
38	241045	538241045	1	screw M 4x14
39	227139	538227139	1	oil tube
40	241044	538241044	1	lever
41	241500	538241500	1	brake metal stripping
42	241451	538241451	1	brake spring
B 44	241183	538241183	1	oil pump assy
45	240862	538240862	1	screw M4x18
A 46	241035	538241035	2	screw
47	240862	538240862	5	screw M4x18
48	241029	538241029	1	motor holder
C 49	247717	538247717	1	brake lever assy (black)
50	• 229394	538229394	1	needle bearing
51	• 241144	538241144	1	pin
52	• 241043	538241043	1	toggle
C 53	242365	538242365	1	oil filter

**FIGURA 2**

C 1	242401	538242401	1	motor
C 3	• 00216404	538216404	1	bearing
C 4	• 00248957	538048957	1	brushes holder
C 5	• 00248956	538048956	2	brushes
C 6	• 00216400	538216400	1	bearing

A=ALTA ROTAZIONE  
B=MEDIA ROTAZIONE  
C=ALTA ROTAZIONE

A=HIGH MOVING  
B=MEDIUM MOVING  
C=SLOW MOVING

A=HAUTE DEMANDE  
B=MOYENNE DEMANDE  
C=BASSE DEMANDE

A=GROBE NACHFRAGE  
B=MITTELMAESSIGE  
C=WENIGE NACHFRAGE

NUOVI CODICI

NEW P. NUMBERS

NOUVELLES REFERENCES

NEU CODEX